

PEM Fuel Cell Power for Stationary Applications

By Laila Grahl-Madsen¹; Madeleine Odgaard¹ & Mikael Näslund²

1: IRD Fuel Cells A/S, Kullinggade 31, DK-5700 Svendborg, Denmark [www.ird.dk]

2: Danish Gas Technology Centre, Dr Neergaards vej 5B, DK-2970 Horsholm, Denmark [www.dgc.eu]



Fuel Cell Based Combined Heat & Power System (μ CHP)

Typical Data For Household CHP System:

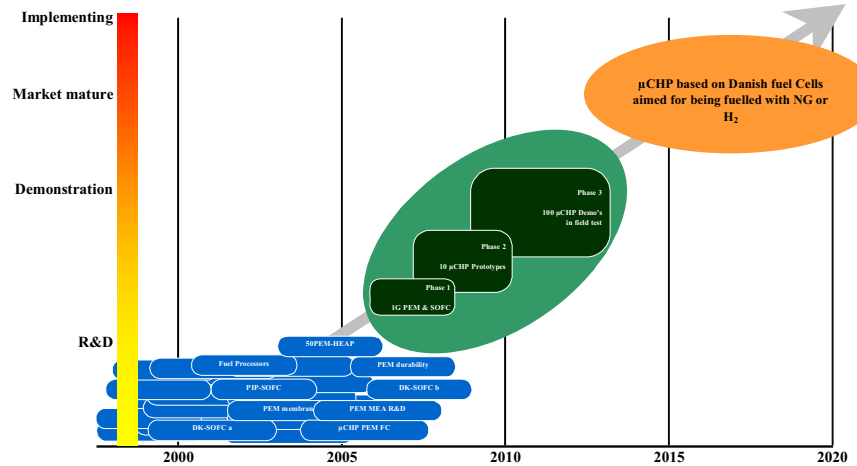
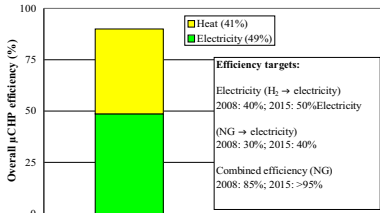
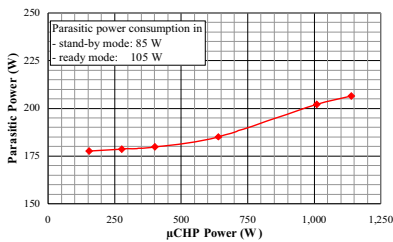
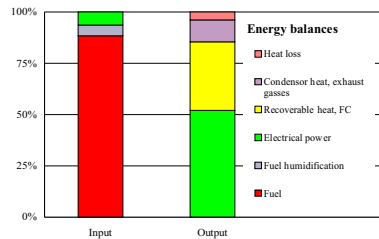
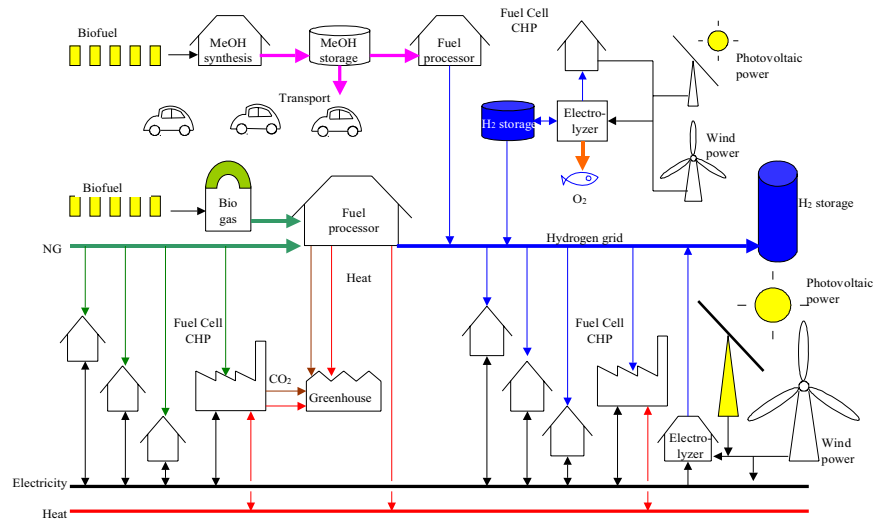
Electrical Power:
Nominal 1.5 kW
Range 0.5-2.0 kW

Heating:
Nominal 1.5 kW
Range 0.5-3.0 kW

Efficiency:
Electrical: >45%
Combined: >85%

On-going LT PEM μ CHP field tests in Denmark:

1. The Hydrogen society Lolland
2. Demonstration of micro combined heat and power (CHP) based on Danish fuel cells



Acknowledgement

The activities are partly funded through the following contracts:

EFP-06 33032-0144, PSO 2006-1-6295 & EIE-05-214/SI2.420237

